

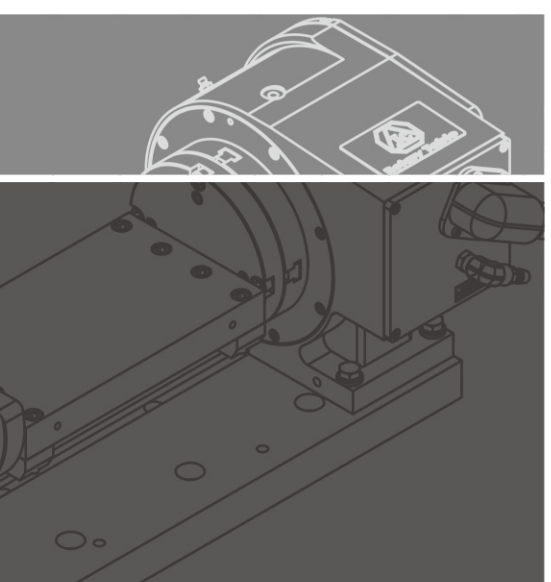
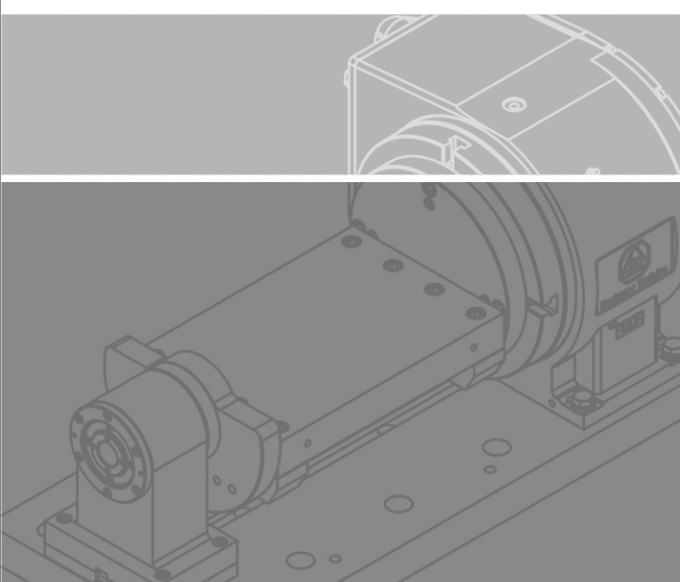
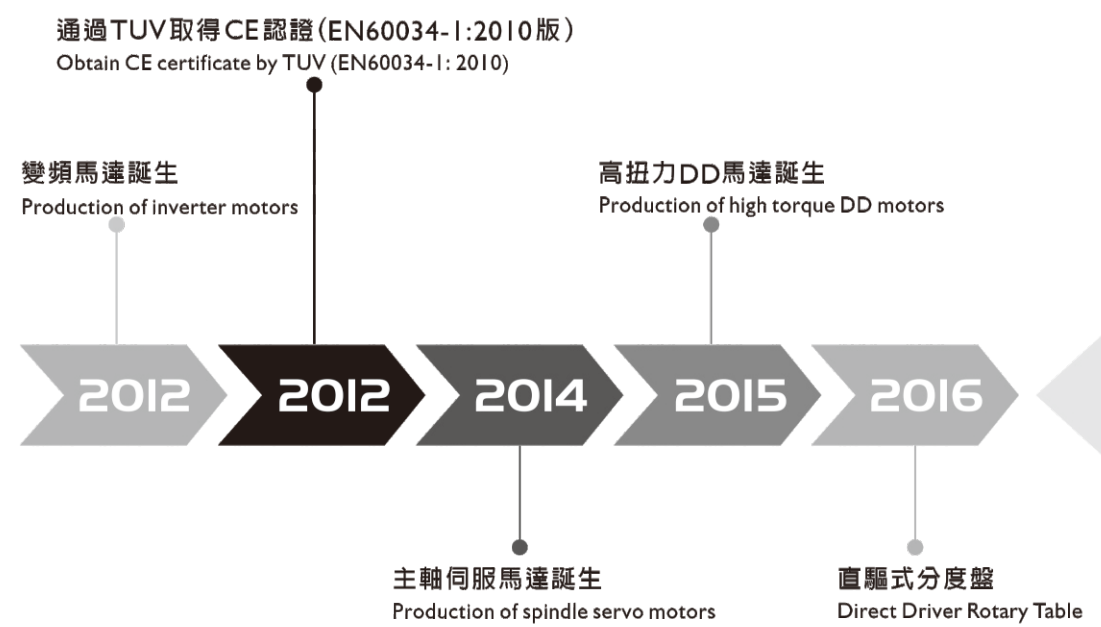
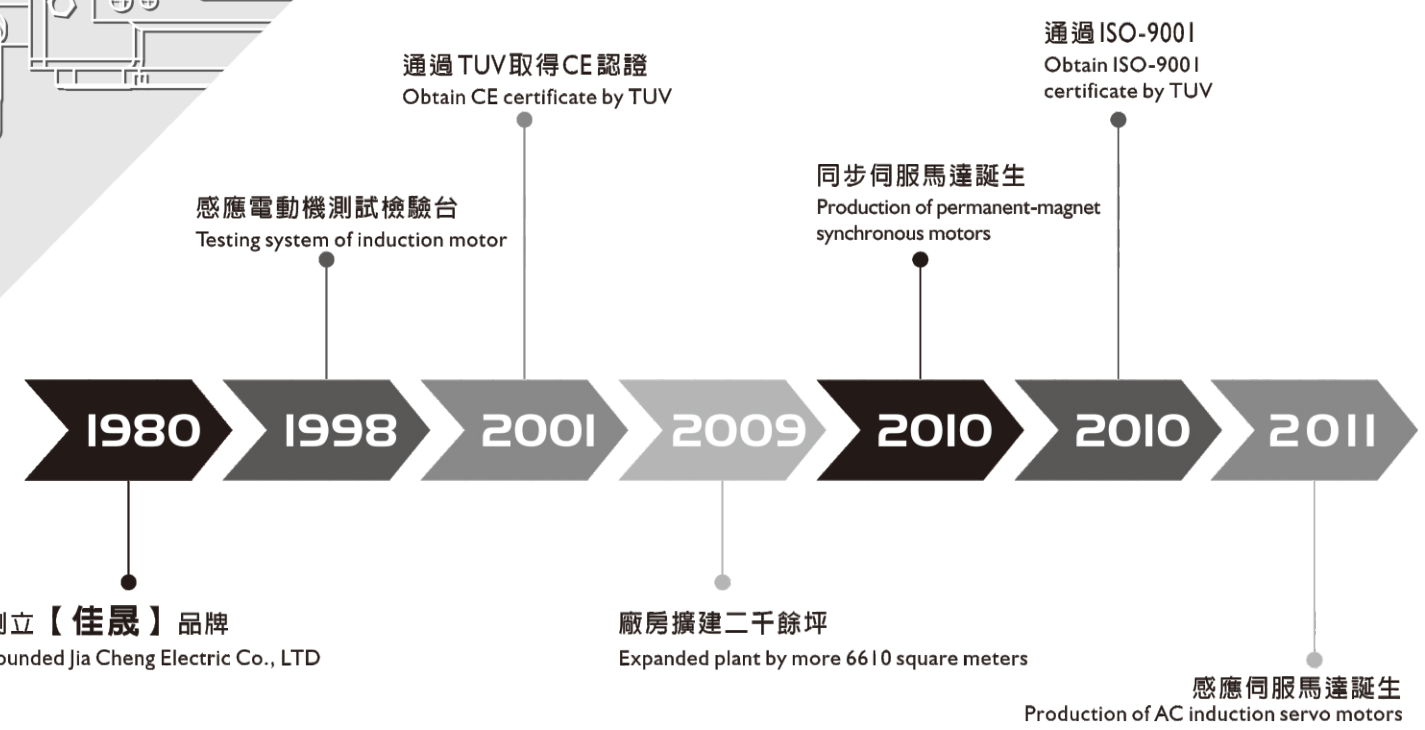
JIA CHENG

ELECTRIC CO., LTD.

JDR Direct Driver Rotary Table

www.jcmotor.com.tw

(第一版)



JDR Direct Driver Rotary Table

JDR Direct Driver Rotary Table

佳晟永遠秉持著顧客至上以及基本的四大原則：

「品質、服務、效率、創新」的態度，為客戶提供多樣化的產品與服務。因此，在累積多年油壓馬達設計與製造的經驗後，持續朝向高效率與省能源的研發目標邁進，為客戶提供全系列完整的油壓馬達產品。有了紮實的技術團隊讓佳晟在商場上獲得良好的口碑，再次證明佳晟的實力與客戶的信賴。

佳晟為了因應廣大客戶需求，於2009年1月擴建廠房二千餘坪，並以ISO-9001品質管理系統作為管理工具核心，有效整合管理、財務、營業、研發、製造和品管各部門，部門間相互協調與配合，成為頂尖的服務團隊。此外於2010年起佳晟著手開發JPM同步伺服馬達、JVM感應伺服馬達、JSM主軸伺服馬達、DDM高扭力DD馬達及IE3感應馬達，正式朝向綠能產業的旅程，邁向另一個新紀元。

We maintain that customer first and have abided by its founding values of "QUALITY, SERVICE, EFFICIENCY, and INNOVATION". We can provide customers with a variety of products and services. Accumulated years of experience in the design and manufacture of the hydraulic motor, we still continue to develop high efficiency and energy saving products for greener. We not only offer a range of hydraulic motors but also make it personalization and customization. Thus ensuring that Jia Cheng will be prove quality and customers reliable.

Base on the customers satisfaction and development project, Jia Cheng has received ISO 9001 quality system certification. This system serves as a tool for management, financial, business, research and development, manufacturing and product quality. In addition to improve the management constantly and innovate design continuously, it helps coordination and cooperation between every department. On the other hand, this system gain trust and competitive edge on the market, and enable the company to reach their goals in sustained development. Jia Cheng expanded plant by more 6610 square meters in January 2009. And Jia Cheng developed synchronous servo motors (JPM), induction servo motors (JVM), spindle servo motors (JSM), high torque DD motors(DDM) and IE3 induction motors(ACH). We will toward environmental protection and energy conservation for new journey.



JDR Direct Driver Rotary Table

JDR Direct Driver Rotary Table

公司簡介 Introduction

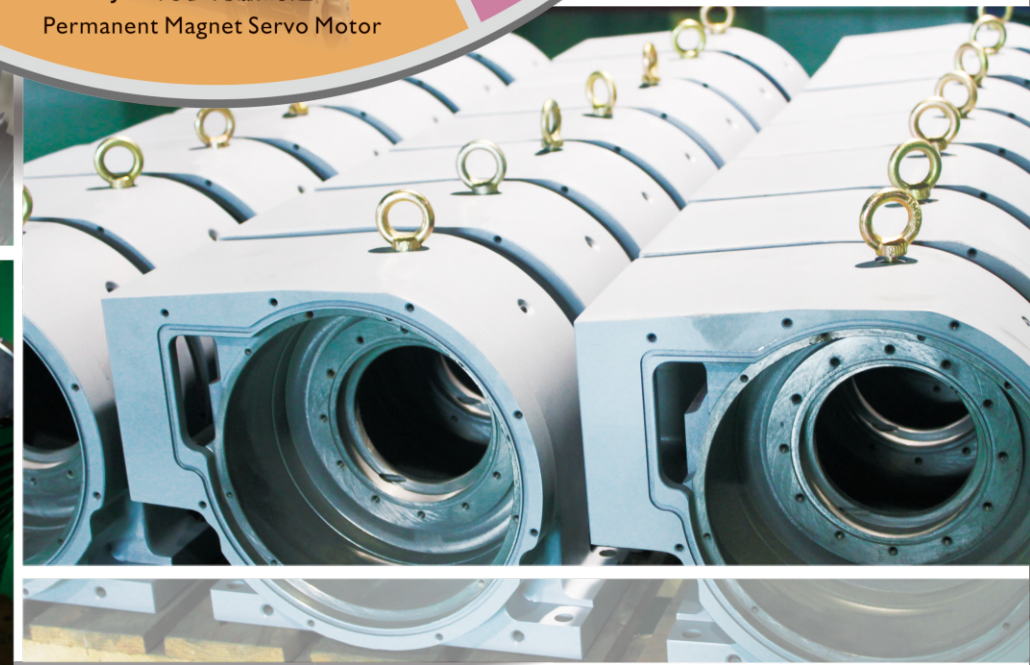
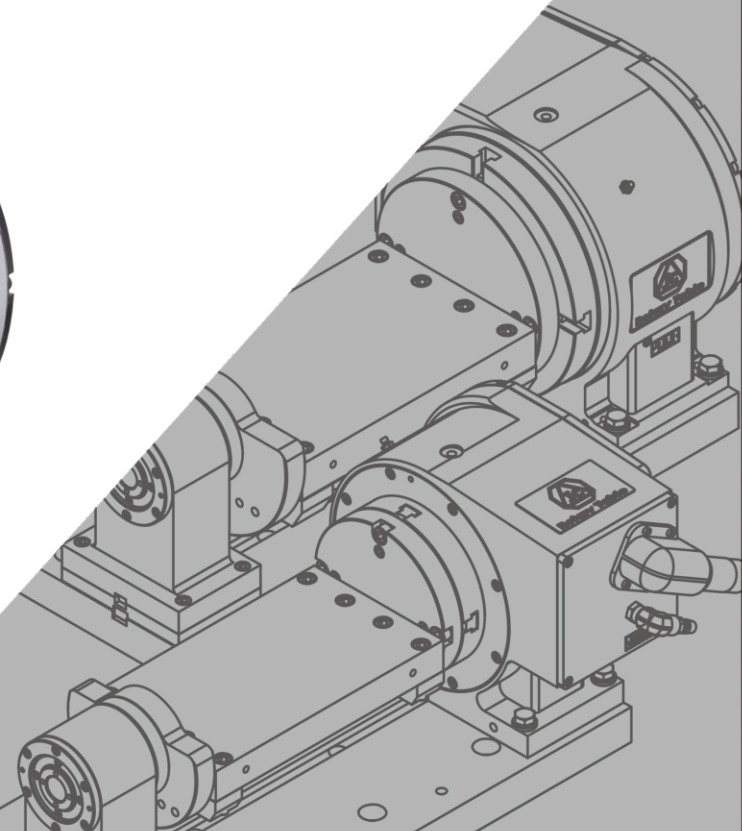
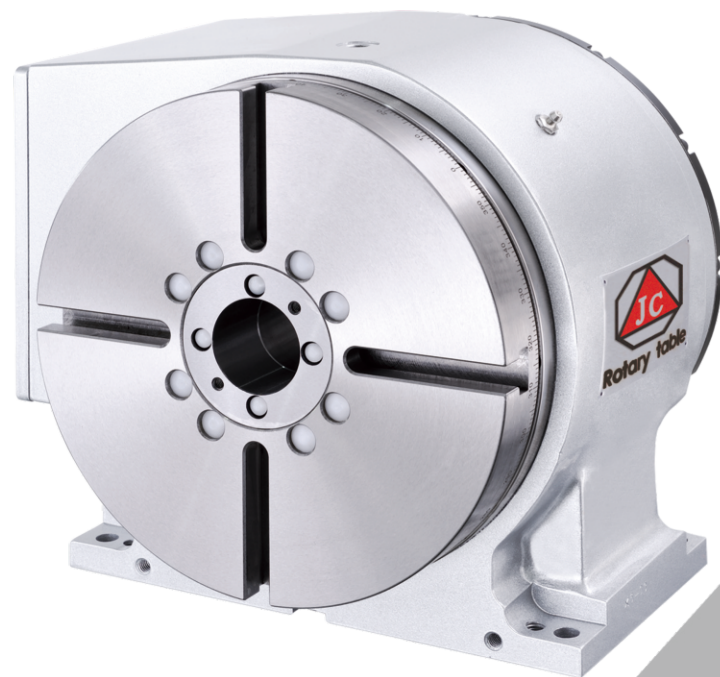
經營理念 Corporate Value

目錄 Contents

七大產品

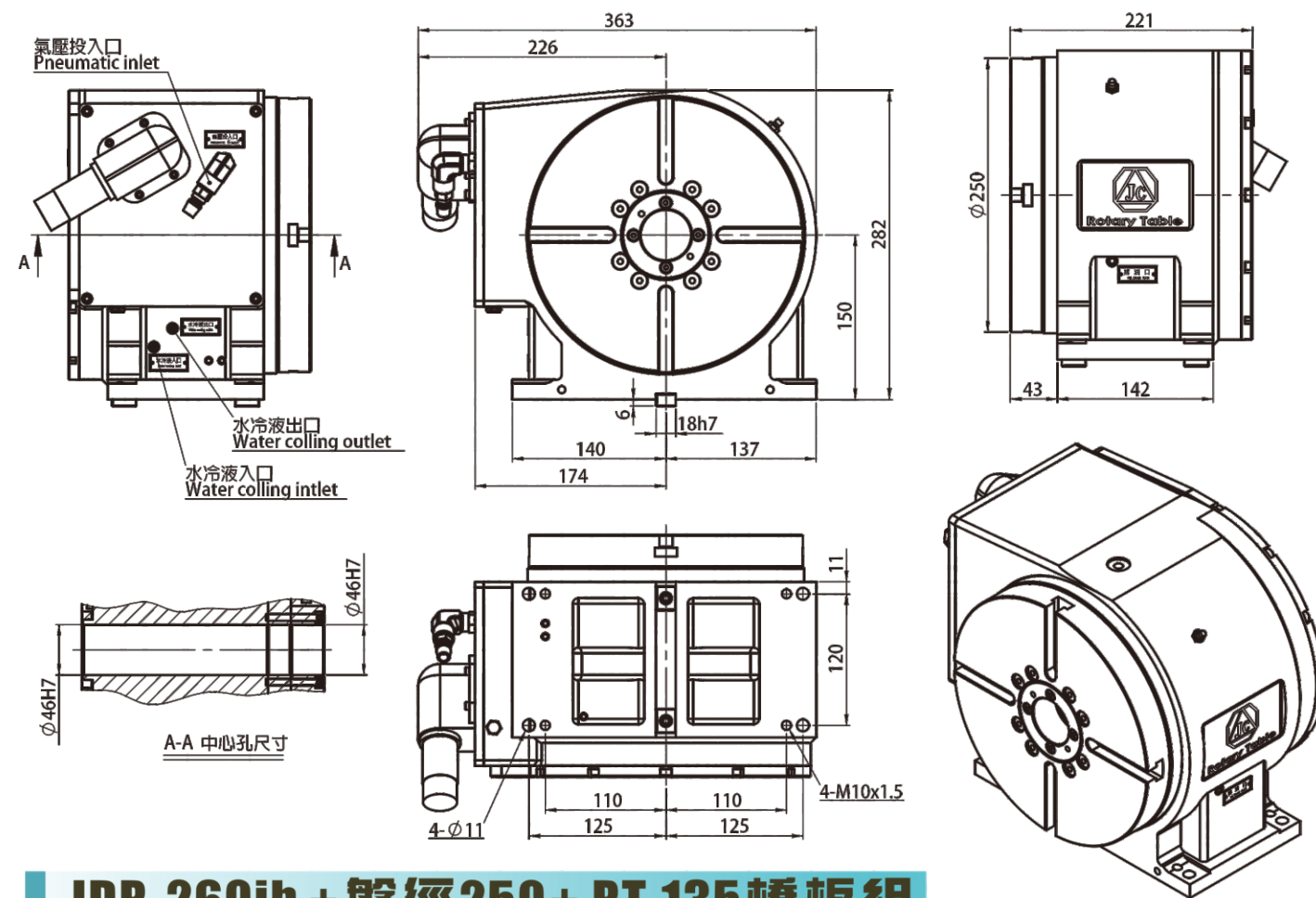
JDR-260 Rated Torque 50-120 N-m

JDR-170 Rated Torque 50 N-m

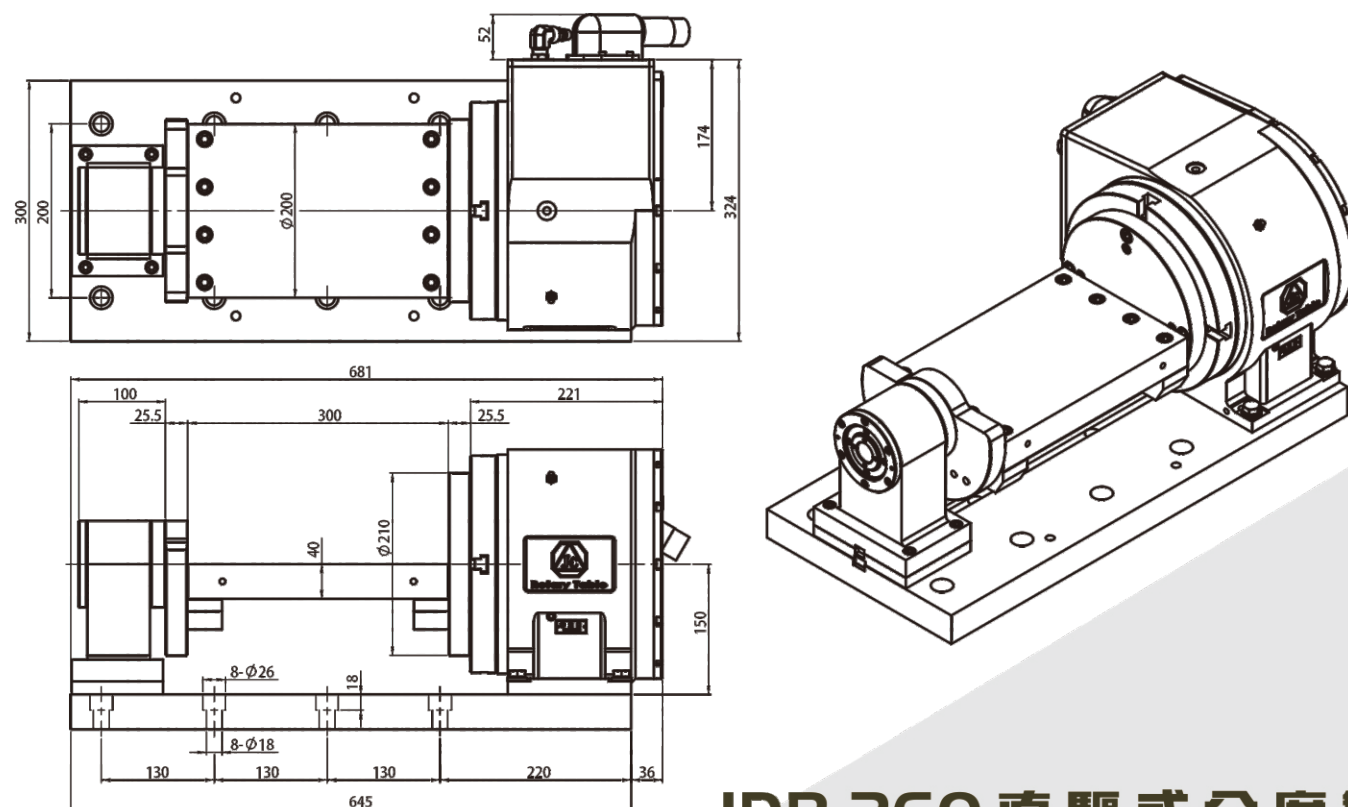


項目 Item	單位 Unit	數 值 Value	
盤面直徑 End plate diameter	mm	φ250	
盤面中心孔直徑 Shaft through-hole	mm	φ46	
中心高度 Center height	mm	150	
底部導鍵寬度 Key way width	mm	18h7	
冷卻方式 Cooling method	-	自然冷卻/水冷 Free Air Convection/Water Cooling	
最小設定單位 Min. Increment	deg.	0.001	
分割精度 Indexing Precision	sec.	20	
重複精度 Repeatability	sec.	4	
鎖緊方式(使用壓力) Clamping System	kg-m ²	氣壓(6)	
鎖緊扭矩 Clamping Torque	kg-m	50	
驅動方式 Driving system	-	DD Motor	
容許工件荷重 Allow Workpiece Load	立式 Vertical	kg	100
	使用尾座 With Tailstock	kg	200
容許負載 (轉盤夾緊時) Allow Work Load (With Rotary Table Clamping)	F	kgf	-
	F × L	kgf × m	122
	F × L	kgf × m	50
轉台重量 Weight	kg	76	
額定 / 最大轉速 Rated / Max. Speed	r.p.m	150 / 200	
額定扭力 (自然冷 / 水冷) Rated Torque (Free Air Convection / Water cooling)	Nm	50 / 120	
額定電流 / 水冷額定電流 / 最大電流 Rated Current / Rated Current Water Cooling / Max. Current	Arms	4.4 / 11.4 / 28	
電機線間反電動勢 Ke (E.M.F)	Vrms/100rpm	67.2	
扭矩常數 Kt Torque Constant	Nm / Arms	11.3	
轉子極數 Poles	-	44	

JDR-260ib + 盤徑 250



JDR-260ib + 盤徑 250 + RT-135 橋板組



Due to we continue to develop the products, we reserve the right to modify or improve the designs, features or specifications of our product at any time without notice.

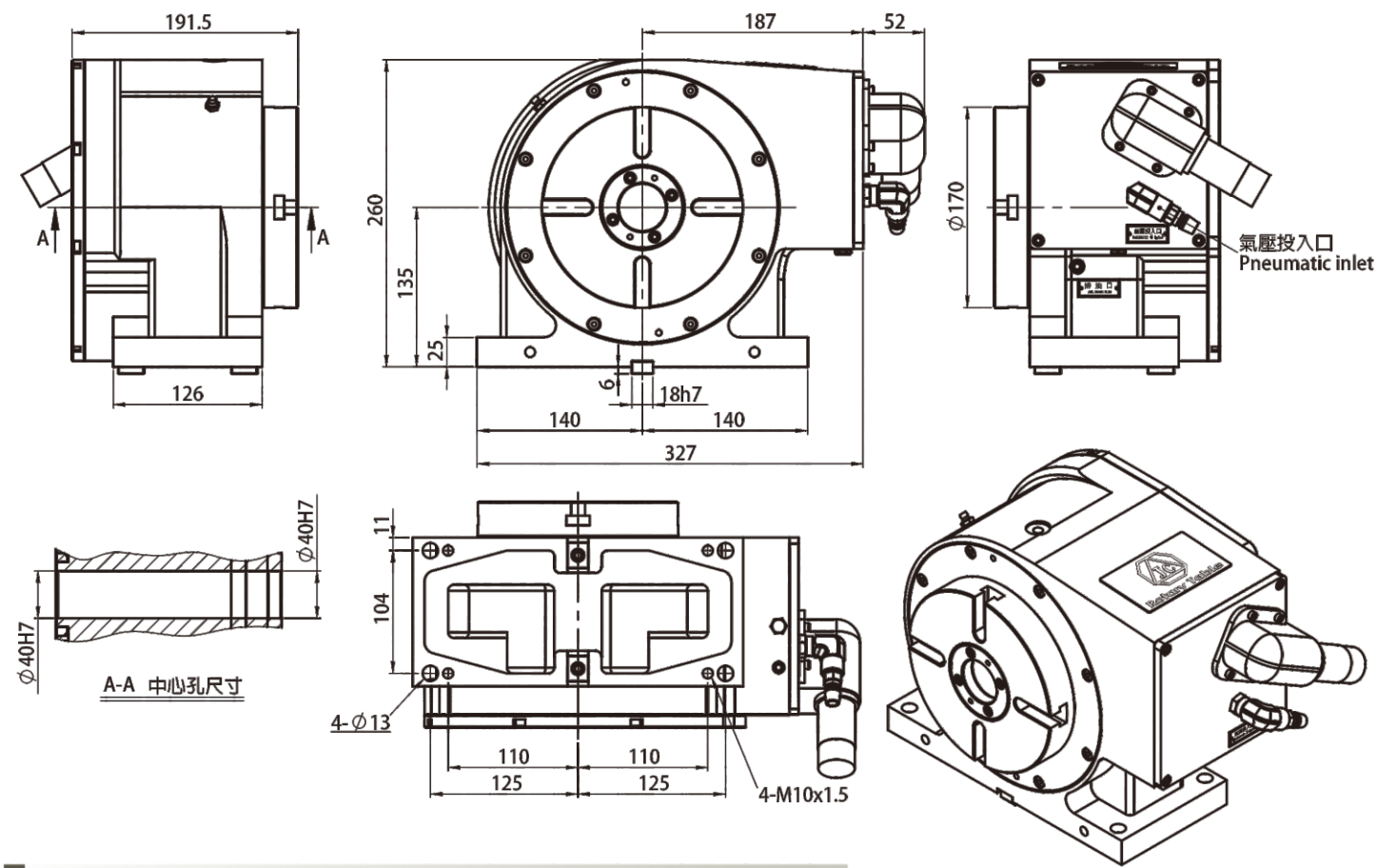
JDR-260 Direct Driver Rotary Table

由於本產品持續開發中，因此本公司保留隨時修改產品的設計、特性或是規格變更的權利，恕不另行通知。

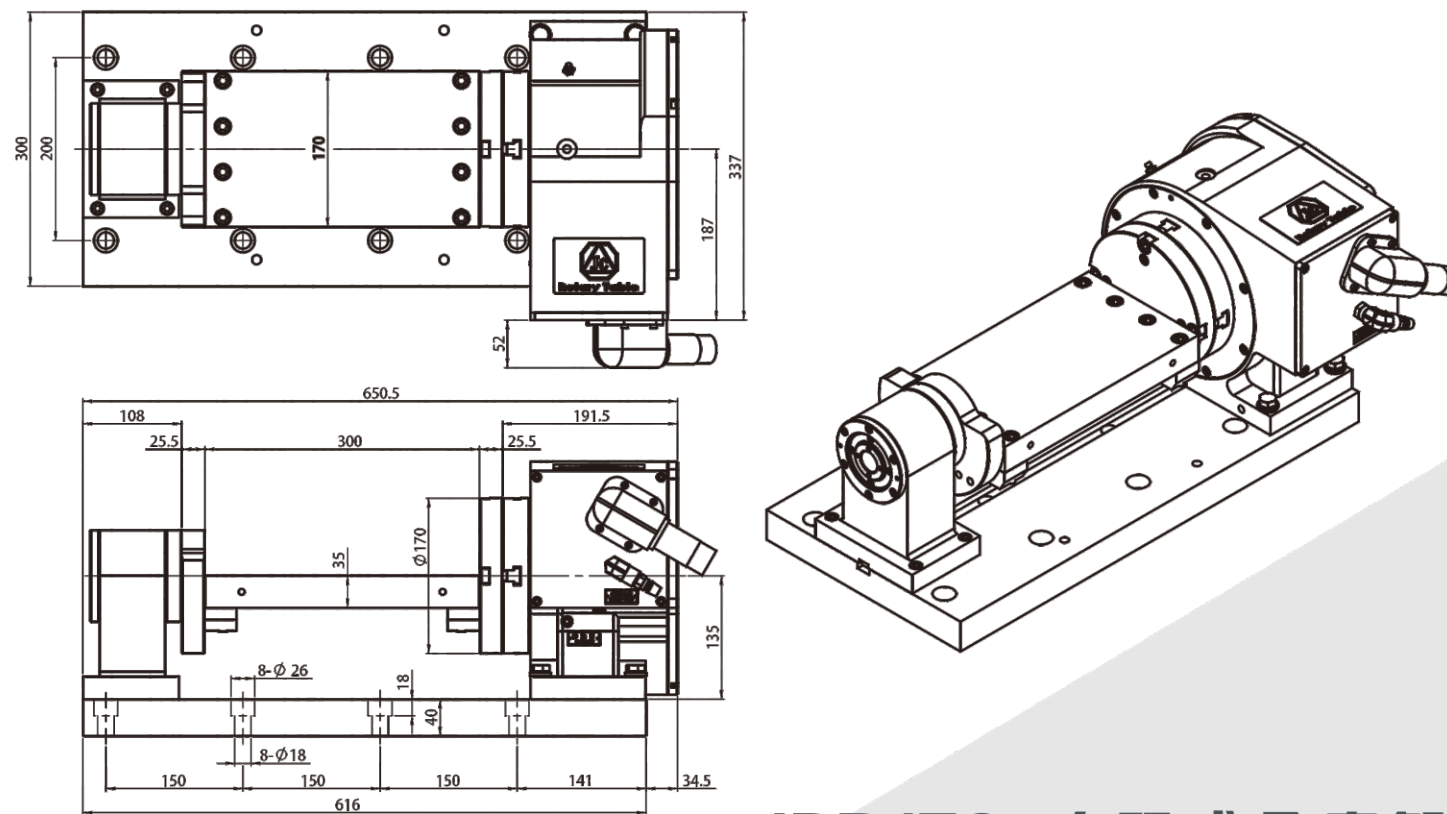
JDR-260 直驅式分度盤

項目 Item		單位 Unit	數值 Value
盤面直徑 End plate diameter		mm	φ 170
盤面中心孔直徑 Shaft through-hole		mm	φ 40
中心高度 Center height		mm	135
底部導鍵寬度 Key way width		mm	18h7
冷卻方式 Cooling method		-	自然冷卻 Free Air Convection
最小設定單位 Min. Increment		deg.	0.001
分割精度 Indexing Precision		sec.	20
重複精度 Repeatability		sec.	4
鎖緊方式(使用壓力) Clamping System		kg-m ²	氣壓(6)
鎖緊扭矩 Clamping Torque		kg-m	31
驅動方式 Driving system		-	DD Motor
容許工件荷重 Allow Workpiece Load	立式 Vertical	kg	30
	使用尾座 With Tailstock	kg	70
容許負載 (轉盤夾緊時) Allow Work Load (With Rotary Table Clamping)	F 	kgf	-
	F × L 	kgf × m	69
	F × L 	kgf × m	31
轉台重量 Weight		kg	55
額定 / 最大轉速 Rated / Max. Speed		r.p.m	150 / 200
額定扭力(自然冷) Rated Torque (Free Air Convection)		Nm	50
額定電流 / 最大電流 Rated Current / Max. Current		Arms	4.4 / 28
電機線間反電動勢 Ke (E.M.F)		Vrms/100rpm	67.2
扭矩常數 Kt Torque Constant		Nm / Arms	11.3
轉子極數 Poles		-	44

JDR-170 + 盤徑 170



JDR-170 + 盤徑 170 + RT-135 橋板組



JDR-170 Direct Driver Rotary Table

由於本產品持續開發中 因此本公司保留隨時修改產品的設計、特性或是規格變更的權利，恕不另行通知。

Due to we continue to develop the products, we reserve the right to modify or improve the designs, features or specifications of our product at any time without notice.

JDR-170 直驅式分度盤



精緻雕琢 極致呈獻



佳晟電機股份有限公司
JIA CHENG ELECTRIC CO., LTD

42085 台中市豐原區萬年路 51 號
No.51, WAN NIAN RD., FENG YUAN DIST,
TAICHUNG CITY, TAIWAN.
TEL:886-4-25233359
FAX:886-4-25278584
[Http://www.jcmotor.com.tw](http://www.jcmotor.com.tw)

經銷商 Distributed:

